

SABS

Certificate of Registration

This is to certify that the Quality Management System of

DISAKI CORES AND TUBES (PTY) LTD EPPING 2, CAPE TOWN

*has been assessed and found to
satisfy the requirements of*

ISO 9001:2008 QUALITY MANAGEMENT SYSTEMS - REQUIREMENTS

in respect of

**THE MANUFACTURE OF PAPER CORES AND TUBES, ANGLE BOARDS AND
DIVIDER PACKS**

EXCLUDING CLAUSES:

**7.3 DESIGN AND DEVELOPMENT
7.5.2 VALIDATION OF PROCESSES FOR PRODUCTION AND SERVICE PROVISION**

This certificate, including the schedule which forms an integral part thereof:
- is issued without alteration;
- is identified by the applicable registration number;
- is subject to any condition or limitation contained therein;
- is valid subject to ongoing compliance with certification requirements;
- bears the embossed SABS Commercial seal. In the absence of the seal, the certificate and the schedule shall be invalid; and
- the certificate may be authenticated by referring to the register of "Certified Clients" on the SABS Commercial website (www.sabs.co.za)

Registration Number **LS 4044**
Effective Date **05 March 2014**
Expiry Date **17 March 2017**
Date of Original Registration **19 March 2008**

Chief Executive Officer *BMehlomakulu*



SABS COMMERCIAL SOC Ltd
100 Lorraine Ave, Scarborough, Pietermaritzburg
Republic of South Africa

A4C0004022

6 August 2012

Disaki Cores & Tubes (Pty) Ltd
10 Bertie Avenue
Epping Industria
7460

Att. Mr. Mark Tomalin

Food safety of ALCOLEX 252

Dear Mr Tomalin

This letter serves to confirm that Alcolex 252 supplied by Permoseal (PTY) Ltd complies with the requirements of Code 21 of the U.S. FDA Regulations 175.105 (adhesives), and is suitable for applications involving indirect food contact of adhesive.

Yours faithfully,

PERMOSEAL (PTY) Ltd

PAUL JACOBS

LAB MANAGER



Pira International
Cleeve Road, Leatherhead
Surrey KT22 7RU United Kingdom
Tel +44 (0) 1372 802000
Fax +44 (0) 1372 802240
www.pira-international.com

Disala



**Certificate of Conformity with Section XXXVI of the
Empfehlungen des Bundesinstitut für Risikobewertung
(BfR Recommendations – June 2009)**

Certificate no: 2011/4371

Product name: 'Valkote'

Manufacturer/

Location: Mondi Packaging South Africa (PTY) Ltd
Springs Mill 82-84 Steel Road
New ERA, Springs 1559
South Africa

Pira International

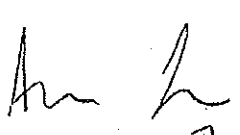
Test Reference no: 10A12J4141

Date of Issue: 19 January 2011

Tests carried out on the above mentioned samples have shown that they comply with the following parts of Recommendation XXXVI of the German BfR (formerly known as BgVV).

- German BfR Recommendation XXXVI for the level of formaldehyde.
- German BfR Recommendation XXXVI for the migration of fluorescent whitening agents (FWAs) with simulants; distilled water, olive oil, saliva solution, 3% acetic acid solution.
- German BfR Recommendation XXXVI for the level of pentachlorophenol (PCP)
- German BfR Recommendation XXXVI for the levels of cadmium, lead and mercury in a cold water extract of the material.
- The product also meets the limits specified in the Annex to German BfR Recommendation XXXVI (*Preconditions for the use of recycled fibres as raw materials for the production of paper*) for the levels of Primary Aromatic Amines, 4,4'-Bis(dimethylamino)-benzophenone, Phthalates (DEHP, DnBP and DIBP), Benzophenone, Bisphenol A and Diisopropyl-naphthalene.

The product therefore meets the test requirements of BfR Recommendation XXXVI for use in direct contact with all classes of food including hot, moist, dry and fatty foodstuffs, with the exception of use in baking applications and hot water filtration. The product can, therefore, be used safely in its intended application.


Issued By: Dr. Allstair Irvine
Principal Consultant, Food Packaging Safety



labour

Department:
Labour
REPUBLIC OF SOUTH AFRICA



2015005678

CALL CENTER NO: 0860 105 350

REG NO : 990000029300
FAX NO : 0123456789
ISSUE DATE : 2016-04-19
CERTIFICATE NO : 2015005678

DISAKI CORES & TUBES PTY LTD
PO BOX 14795
Germiston

LETTER OF GOOD STANDING

COMPENSATION FOR OCCUPATIONAL INJURIES AND DISEASES ACT 130 of 1993 (AS AMENDED).

With reference to sections 80, 82, 86 and 89 of Compensation for Occupational Injuries and Diseases Act 130 of 1993 (As amended), I hereby certify that:

DISAKI CORES & TUBES PTY LTD

has complied with the requirement of the above Act and is at present in good standing with the Compensation Fund.

Nature of business :CORES&TUBES MNFR

Expiry date :2017-04-30

IMPORTANT NOTICE:

Any fraudulently obtained Letter of Good Standing shall constitute a criminal offence.

The Compensation Commissioner shall institute criminal proceedings against any perpetrators who unlawfully alter or deface this letter with intend to defraud or misrepresent facts contained therein.

PLEASE, use the Below link (Website Address) to check if the Letter of Good Standing is valid:

<https://cfoonline.labour.gov.za/VerifyLOGS>

Yours faithfully

COMPENSATION COMMISSIONER

W.As. 48

Compensation House, Cnr Hamilton and Soutpansberg Road, PO Box 955, Pretoria, 0001 Fax:(012)357-1817 Website:<http://www.labour.gov.za>



Compensation Fund
VERBODEN TOEGANG



Springs Mill

Doc. No.: PS/TECH/00
Page 12 of 22
Issued by: ISO CO-ORDINATOR
Approved by: MILL CHEMIST

SUBJECT: PACKAGING AND INDUSTRIAL
PRODUCTS - PIRA CERTIFICATES
ISO9001

Date: 18/05/2010
Revision No.: 05

PRODUCT: NDICHIP

Pira International
Randalls Road
Leatherhead
Surrey KT22 7RU
United Kingdom

Telephone
+44 (0) 1372 802000
Fax
+44 (0) 1372 802238
www.piranet.com



**Certificate of Conformity with Section XXXVI of the
Empfehlungen des Bundesinstitut für Risikobewertung
(BfR Recommendations – January 2002)**

Certificate no: 2003/2258

Product name: NdiChip

Manufacturer: Mondi Cartonboard
Location: Springs Mill
PO Box 608
Springs
South Africa

Pira International
Test Reference no: 03A12J0911
Date of issue: 20 June 2003

Tests carried out on the above mentioned samples have shown that they comply with the following parts of Recommendation XXXVI of the German BfR (formerly known as BgVV).

- German BfR Recommendation XXXVI for the level of formaldehyde.
- German BfR Recommendation XXXVI for the migration of fluorescent whitening agents (FWAs) with simulants; distilled water, olive oil, 0.5% sodium carbonate solution, 1.5% acetic acid solution.
- German BfR Recommendation XXXVI for the level of polychlorinated biphenyls
- German BfR Recommendation XXXVI for the levels of cadmium, chromium VI, lead and mercury in a cold water extract of the material.
- German BfR Recommendation XXXVI for the levels of chlorinated propanols (3-monochloropropan-1-ol and dichloropropanol in a cold water extract of the material.

The product is suitable for use in direct contact with all classes of food including hot, moist, dry and fatty foodstuffs, with the exception of use in baking applications and hot water filtration. The product can, therefore, be used safely in its intended application.


Issued By: Dr A M L Irvine
Section Leader
Analytical Services

Visit us online at [PIRANET.com](http://www.piranet.com)

03A12J0911




Doc. No.: PS/TECH/00
Page 12 of 22
Issued by: ISO CO-ORDINATOR
Approved by: MILL CHEMIST

Springs Mill

SUBJECT: PACKAGING AND INDUSTRIAL
PRODUCTS - PIRA CERTIFICATES
ISO9001

Date: 18/05/2010
Revision No.: 05

PRODUCT: NDICHIP

Pira International Kilndorf P1 Road Leithwood Surrey KT22 7JU United Kingdom	Telephone +44 (0) 1872 862000 Fax +44 (0) 1372 892298 www.pira.net.com	
--	--	---

**Certificate of Conformity with Section XXXVI of the
Empfehlungen des Bundesinstitut für Risikobewertung
(BfR Recommendations – January 2002)**

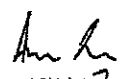
Certificate no: 2003/2258

Product name: NSChip		
Manufacturer: Mondri Cartonboard	Pira International	
Location: Springs Mill	Test Reference no: 03A12J0911	
PO Box 608	Date of Issue: 20 June 2008	
Springs		
South Africa		

Tests carried out on the above mentioned samples have shown that they comply with the following parts of Recommendation XXXVI of the German BfR (formerly known as BgVV).

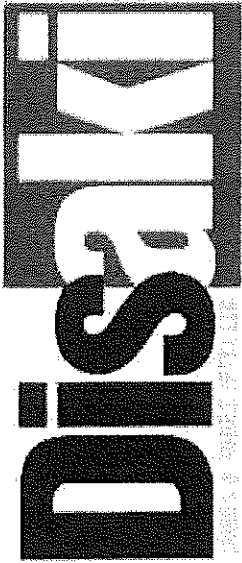
- German BfR Recommendation XXXVI for the level of formaldehyde.
- German BfR Recommendation XXXVI for the migration of fluorescent whitening agents (FWAs) with simulant; distilled water, olive oil, 0.6% sodium carbonate solution, 1.5% acetic acid solution.
- German BfR Recommendation XXXVI for the level of polychlorinated biphenyls
- German BfR Recommendation XXXVI for the levels of cadmium, chromium VI, lead and mercury in a cold water extract of the material.
- German BfR Recommendation XXXVI for the levels of chlorinated propenols (3-monochloropropan-1-ol and dichloropropanol) in a cold water extract of the material.

The product is suitable for use in direct contact with all classes of food including hot, moist, dry and fatty foodstuffs, with the exception of use in baking applications and hot water filtration. The product can, therefore, be used safely in its intended application.


Issued By: Dr A M L Irvine
Section Leader
Analytical Services

Visit us online at www.pira.net.com

The Issuance of this Certificate is subject to the terms and conditions of the PIRA Certificate of Conformity

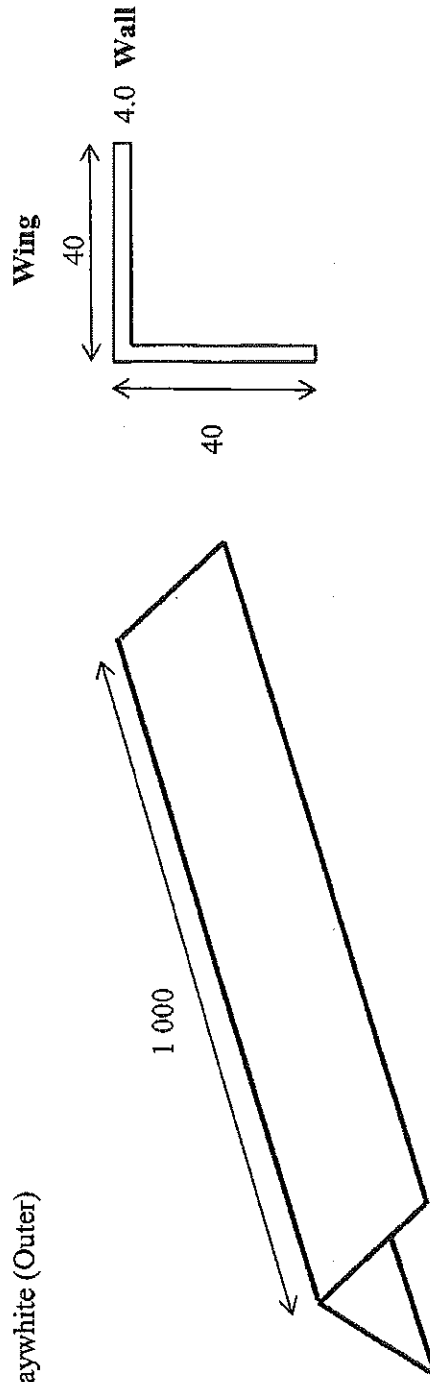


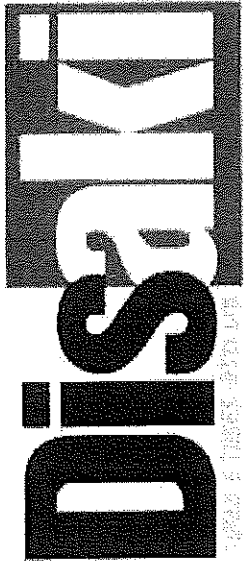
Tel 021 - 535 2610

Fax 021 - 535 5686

ANGLEBOARD

Customer	KAAP AGRI
Reference	40 x 40 x 4.0 x 1 000
Wing Width	40 x 40 (± 1.0 mm)
Wall Thickness	4.0 mm (± 0.3 mm)
Length	1 000 mm (± 4.0 mm)
Material	Brown Kraft Plies
	250 GSM Baywhite (Outer)
Unit Weight	241 grams



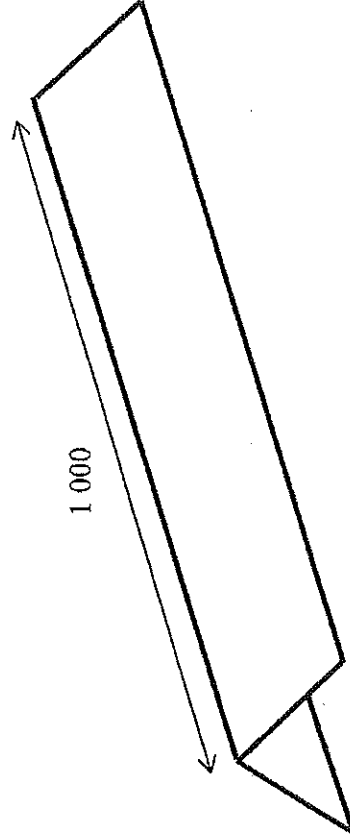
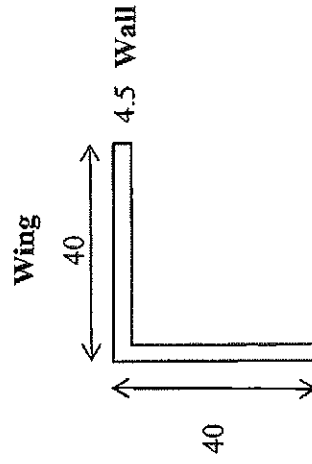


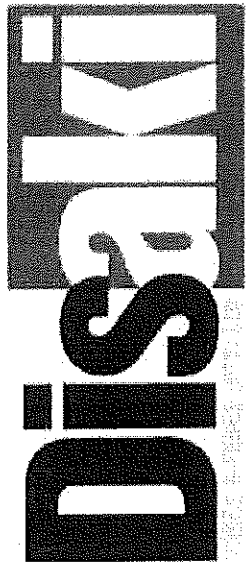
Tel 021 - 535 2610

Fax 021 - 535 5686

ANGLEBOARD

Customer	KAAP AGRI
Reference	40 x 40 x 4.5 x 1 000
Wing Width	40 x 40 (± 1.0 mm)
Wall Thickness	4.5 mm (± 0.3 mm)
Length	1 000 mm (± 4.0 mm)
Material	Brown Kraft Plies
	250 GSM Baywhite (Outer)
Unit Weight	271 grams



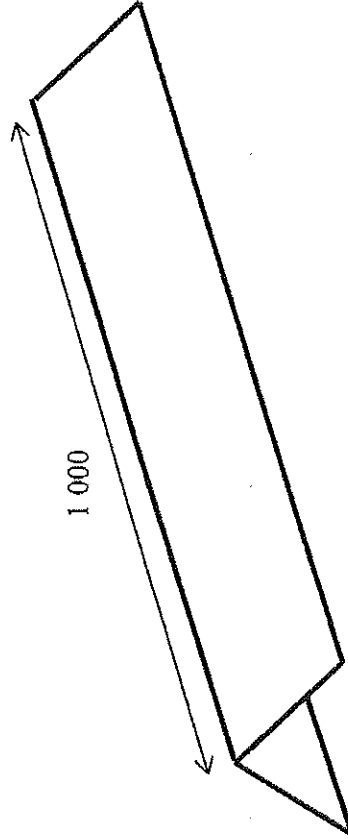
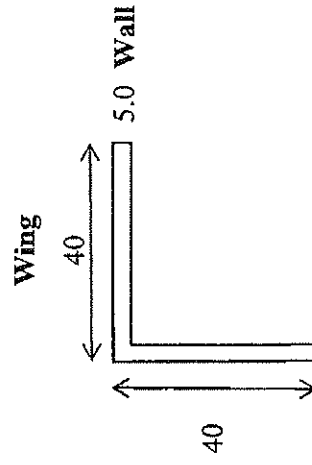


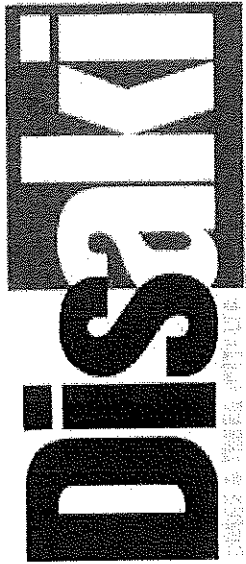
Tel 021 - 535 2610

Fax 021 - 535 5686

ANGLEBOARD

Customer KAAP AGRI
Reference 40 x 40 x 5.0 x 1 000
Wing Width 40 x 40 (± 1.0 mm)
Wall Thickness 5.0 mm (± 0.3 mm)
Length 1 000 mm (± 4.0 mm)
Material Brown Kraft Plies
250 GSM Baywhite (Outer)
Unit Weight 301 grams





Tel 021 - 535 2610

Fax 021 - 535 5686

ANGLEBOARD

Customer KAAP AGRI
Reference 50 x 50 x 5.0 x 1 000
Wing Width 50 x 50 (± 1.0 mm)
Wall Thickness 5.0 mm (± 0.3 mm)
Length 1 000 mm (± 4.0 mm)

Material Brown Kraft Plies
250 GSM Baywhite (Outer)
Unit Weight 389 grams

